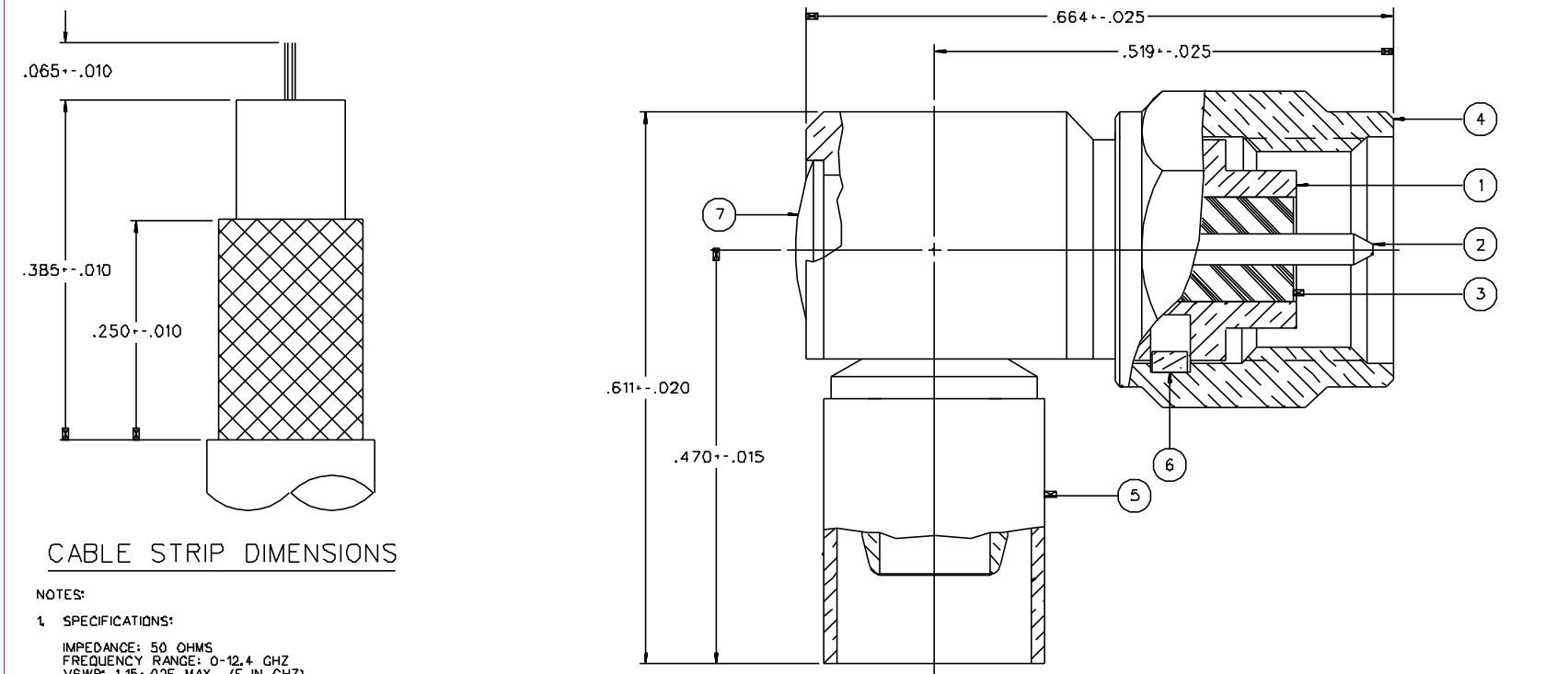


PART NUMBER	ITEM ① BODY	ITEM ② CONTACT	ITEM ③ INSULATOR	ITEM ④ HEX NUT	ITEM ⑤ CRIMP SLEEVE	ITEM ⑥ RETENTION SPRING	ITEM ⑦ END CAP	ITEM ⑧ HEAT SHRINK
142-D408-101	BRASS GOLD PL .00001 MIN OVER NICKEL PL .00005 MIN OVER COPPER PL .00005 MIN	BRASS GOLD PL .00003 MIN OVER NICKEL PL .00005 MIN OVER COPPER PL .00005 MIN	TEFLON	BRASS GOLD PL .00001 MIN OVER NICKEL PL .00005 MIN OVER COPPER PL .00005 MIN	COPPER GOLD PL .00001 MIN OVER NICKEL PL .00005 MIN OVER COPPER PL .00005 MIN	BERYLLIUM COPPER UNPLATED	BRASS GOLD PL .00001 MIN OVER NICKEL PL .00005 MIN OVER COPPER PL .00005 MIN	
142-D408-102	BRASS GOLD PL .00001 MIN OVER NICKEL PL .00005 MIN OVER COPPER PL .00005 MIN	BRASS GOLD PL .00003 MIN OVER NICKEL PL .00005 MIN OVER COPPER PL .00005 MIN	TEFLON	BRASS GOLD PL .00001 MIN OVER NICKEL PL .00005 MIN OVER COPPER PL .00005 MIN	COPPER GOLD PL .00001 MIN OVER NICKEL PL .00005 MIN OVER COPPER PL .00005 MIN	BERYLLIUM COPPER UNPLATED	BRASS GOLD PL .00001 MIN OVER NICKEL PL .00005 MIN OVER COPPER PL .00005 MIN	POLYOLEFIN COLOR: BLACK
142-D408-106	BRASS NICKEL PL .0001 MIN OVER COPPER PL .00005 MIN	BRASS GOLD PL .00003 MIN OVER NICKEL PL .00005 MIN OVER COPPER PL .00005 MIN	TEFLON	BRASS NICKEL PL .0001 MIN OVER COPPER PL .00005 MIN	COPPER NICKEL PL .0001 MIN OVER COPPER PL .00005 MIN	BERYLLIUM COPPER UNPLATED	BRASS NICKEL PL .0001 MIN OVER COPPER PL .00005 MIN	



**CABLE STRIP DIMENSIONS**

**NOTES:**

**1. SPECIFICATIONS:**

IMPEDANCE: 50 OHMS  
 FREQUENCY RANGE: 0-12.4 GHZ  
 VSWR: 1.15 ± .02F MAX (F IN GHZ)  
 WORKING VOLTAGE: 335 VRMS MAX AT SEA LEVEL  
 DIELECTRIC WITHSTANDING VOLTAGE: 1000 VRMS MIN AT SEA LEVEL  
 INSULATION RESISTANCE: 5000 MEGOHM MIN  
 CONTACT RESISTANCE:  
 CENTER CONTACT - INITIAL 4.0 MILLIOHM MAX, AFTER ENVIRONMENTAL 6.0 MILLIOHM MAX  
 OUTER CONDUCTOR - INITIAL 2.0 MILLIOHM MAX, AFTER ENVIRONMENTAL NOT APPLICABLE  
 BODY TO CABLE - 0.5 MILLIOHM MAX (GOLD PLATED), 5.0 MILLIOHMS MAX (NICKEL PLATED)  
 CORONA LEVEL: 250 VOLTS MIN AT 70,000 FEET  
 INSERTION LOSS: .15 √F (F IN GHZ) AT 6 GHZ  
 RF LEAKAGE: -60 DB MIN AT 2.5 GHZ  
 RF HIGH POTENTIAL WITHSTANDING VOLTAGE: 670 VRMS MIN AT 4 AND 7 MHZ

**MECHANICAL:**

ENGAGE/DISENGAGE TORQUE: 2 INCH-POUNDS MAX  
 MATING TORQUE: 7-10 INCH POUNDS  
 COUPLING PROOF TORQUE: 15 INCH-POUNDS MIN  
 COUPLING NUT RETENTION: 60 LBS MIN  
 CONTACT RETENTION: 6 LBS MIN  
 CABLE ACCEPTABILITY: RG 55/U, RG 142/U, RG 223/U, RG 400/U  
 CABLE HEX CRIMP SIZE: .213  
 CABLE RETENTION: 45 LBS MIN AXIAL FORCE  
 DURABILITY: 500 CYCLES MIN

**ENVIRONMENTAL:**

(MEETS OR EXCEEDS THE APPLICABLE PARAGRAPH OF MIL-C-39012)  
 THERMAL SHOCK: MIL-STD-202, METHOD 107, CONDITION B EXCEPT BS° C HIGH TEMP  
 OPERATING TEMPERATURE: -65 DEG C TO 165 DEG C  
 CORROSION: MIL-STD-202, METHOD 101, CONDITION B  
 SHOCK: MIL-STD-202, METHOD 213, CONDITION I  
 VIBRATION: MIL-STD-202, METHOD 204, CONDITION D  
 MOISTURE RESISTANCE: MIL-STD-202, METHOD 106

DRAWING NO. C - 142-0408-101/110	
0 REVISIONS	
ENGINEERING RELEASE	
1	6-15-90 [Signature] 7-3-9D ECO 24704
ADDED: TO BODY TO CABLE SPEC "GOLD PLATED", 5.0 MILLIOHMS MAX "NICKEL PLATED" TO INSERTION LOSS SPEC "AT 6 GHZ TO RF ... VOLTAGE SPEC "TO 7.5"	
2	11-11-90 [Signature] 11-20-90 ECO 24984
CHANGED: DRAWING WAS "D" SIZE RF LEAK 2.5 GHZ WAS 2 TO 3 GHZ, RF HIGH POT 4 AND 7 MHZ WAS 5 TO 7.5 MHZ	
3	4-13-92 [Signature] 4-20-92 ECO 40916
CHANGED: UPDATED GRAPHICS	
4	12-6-93 [Signature] 12-22-93 ECO 42088
ADDED: P/N 142-0408-102 ITEM 8 HEAT SHRINK	
* REVISION NUMBER FOLLOWED BY AN ALPHA * * CHARACTER INDICATED DRAWING CLASS * * CATION OR PART NUMBER ADDITION ONLY *	
4d	2-10-94 [Signature] ECO 42296

**CUSTOMER DRAWING**

THIS DRAWING TO BE INTERPRETED PER ANSI Y 14.5M - 1982

"µSTATION"

**COMPANY CONFIDENTIAL**

TOLERANCE UNLESS OTHERWISE SPECIFIED	DRAWN BY EJ	DATE 7-31-87	Johnson Components 299 Johnson Ave. P.O. Box 1732 Waseca, MN 56093-0832	
DECIMALS .XX	CHECKED BY	DATE 6-15-90	TITLE PLUG ASSEMBLY, RA CABLED SMA, RG 142	
XXX	APPROVED BY OMI	DATE 6-19-90	CODE NO.	DRAWING NO.
MATL	APPROVED BY RJB	DATE 7-3-90	C - 142-0408-101/110	
FINISH	RELEASE DATE	7-3-90	SCALE 10:1	U/N INCH SHEET 2 OF 2